

MBE24

Above Ground Swinging Gate Kits | Domestic Use

Swinging Gate with Articulated Arm

Up to 2.5m

personalised release key



Product Features

- * 24 Vdc self-locking electromechanical operator for intensive use
- * equipped with strong, articulated and anti-shearing arm
- * Suitable for gates installed on large posts
- * Tempered steel mechanical features to guarantee sturdiness and solidity
- * Equipped with open and close limit switch
- * Amperometric sensor obstacle detection system to prevent crushing

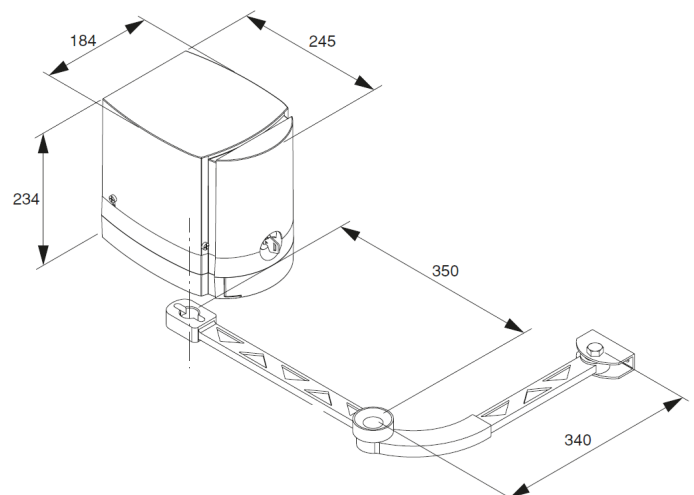
Designed with compact lines and high quality materials to ensure the maximum sturdiness and solidity, the MBE is available in 24Vdc version. This ensures maximum safety and, thanks to the battery pack, it can operate even in case of power failure. Available also in kit complete with all accessories.

DATA

MBE24

DATA	MBE24
Power Supply	-
Motor Supply	24 Vdc
Max Absorbed Current	6.2 A
Torque	180 Nm
Opening Speed	10Secs
Operation Cycle	Intensive Use
Protection Level	IP44
Operating Temp.	-20°C/+50°C
Leaf Max Dimension	2.5m

Technical



Please Contact Our Sales Department On 01928 579050 For Further Information