

EN54-3 Sounder

Accessories | Fire Door Operators

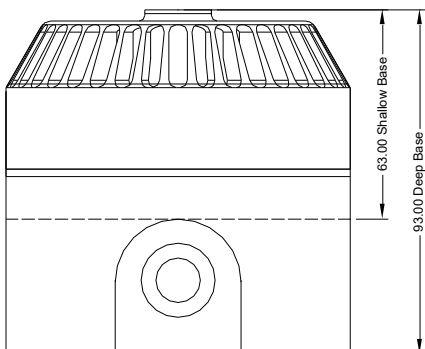
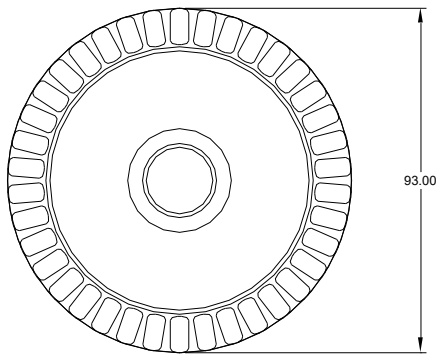


The EN54-3 is the fire alarm markets leading conventional sounder, although it finds uses in many applications, such as security, general signalling and process alarms. With its recognisable body, wide operating voltage and international reputation for quality, the EN54-3 is a flexible sounder suitable for use in most applications



Features

- 102dB(A) sound output
- 32 tones (user selectable)
- Two stage alarm
- Automatic synchronisation
- Ideal for general signalling and Fire use
- Fire approved and general signalling tone options
- Alert and alarm function
- Improved tone clarity, reducing confusion



Voltage	9-15Vdc 18-28Vdc
Current	12mA (Typical Tone 3)
Sound Output	102dB(A) (Typical Tone 3)
Tones	32
Volume	Control 10dB
Monitoring	Reverse polarity
Temperature	- 25°C to + 70°C
Protection	IP54 (Shallow Base) IP65 (Deep Base)
Construction	ABS
Weight	0.25Kg
Colour	Red

Please Contact Our Sales Department On 01928 579050 For Further Information