

## Red Flashing Beacon

### Accessories | Fire Door Operators

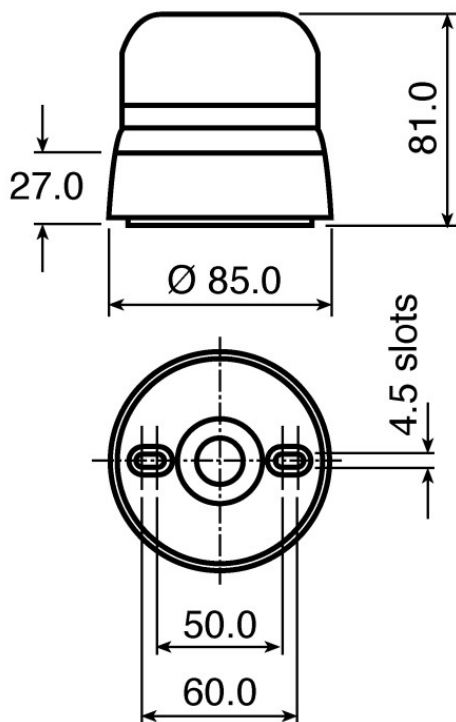


This weatherproof Flashguard beacon available from Link Controls, has xenon flash tubes and is fitted with a diffuser for greater visibility and spread of light. The beacon has a low profile design and is constructed of high-quality polycarbonate.



#### Features

- Compact, ultra-modern sleek appearance
- Surface or box mount with rear entry cable
- Weatherproof to IP67 (with cable connector)
- White, high-quality polycarbonate housing
- Vandal-resistant safety locking mechanism



Supply Voltage	24 V dc / 230 V ac
Light Effect	Flashing
Lens Colour	Red
Mounting Method	Surface
Base Diameter	Ø85mm
Bulb Type	Xenon
Housing Colour	White
Protection	IP67
Operating Temperature	+40°C...-20°C

Please Contact Our Sales Department On 01928 579050 For Further Information