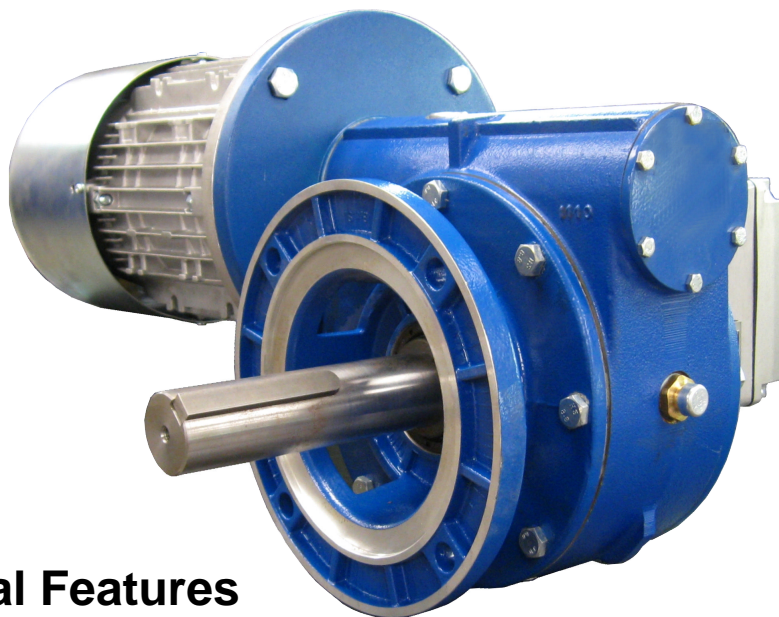
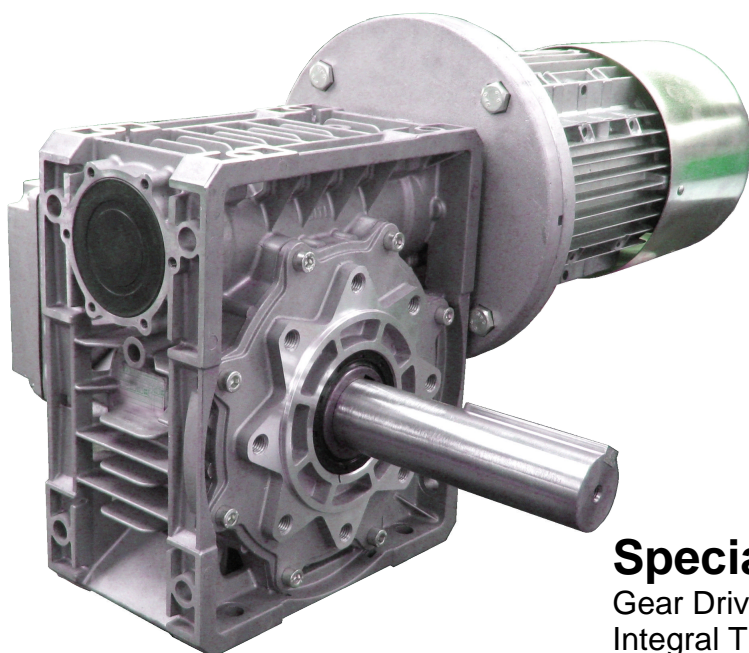


CDO-375 & CDO-400

Foot Mount & Flange Mount Rolling Door Operators

The CDO-375 Rolling Door Operator is available with a 3kW 400V Three Phase Brake Motor.

The CDO-400 Rolling Door Operator is available with a 4kW 400v Three Phase Brake Motor.



Special Features

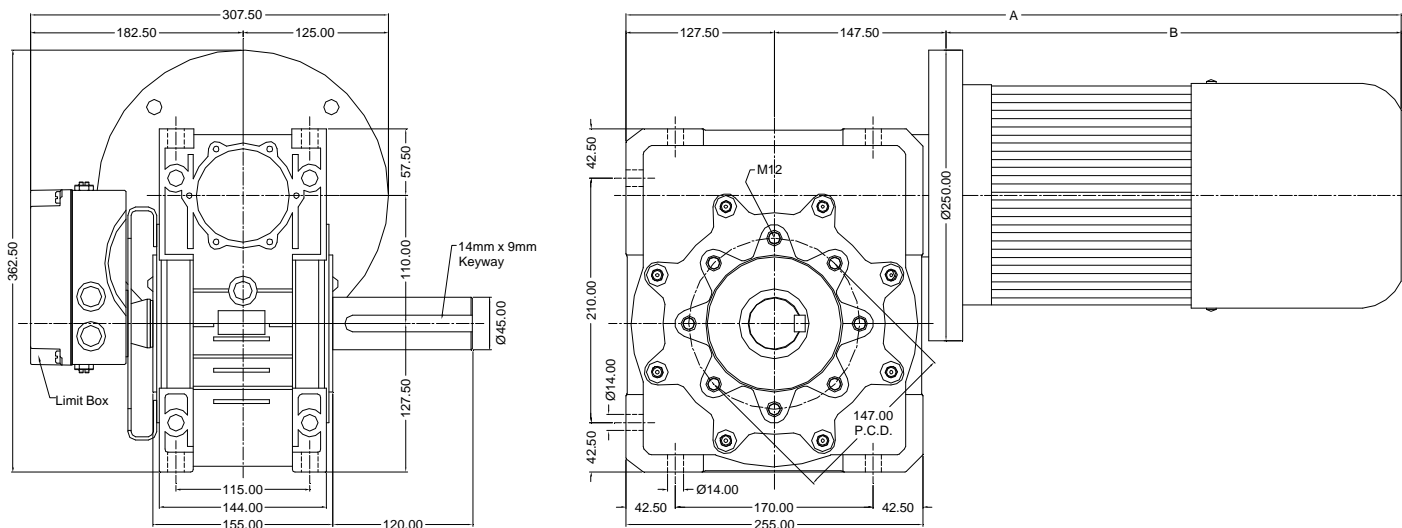
- Gear Driven Limit Switches
- Integral Thermal Protection
- I.P. 54 Environment Protection
- Phosphor Bronze Worm Wheel
- High starting Torque Industrial Duty Motor

Both of these operators can be fitted with a Hand Crank Interlock which enables the barrel to be manually turned during installation.

Data \ Type	CDO-375s FOOT MOUNT c/w Hand Crank	CDO-375 FLANGE MOUNT c/w Hand Crank	CDO-400s FOOT MOUNT c/w Hand Crank	CDO-400 FLANGE MOUNT c/w Hand Crank
Power (kW)	3		4	
Torque (Nm)	835		970	
Output Speed (R.P.M.)	24		28	
Environmental Protection	I.P.54			
Current (Amps)	7.1		8.8	
Power Supply	400V / 3PH / 50Hz			

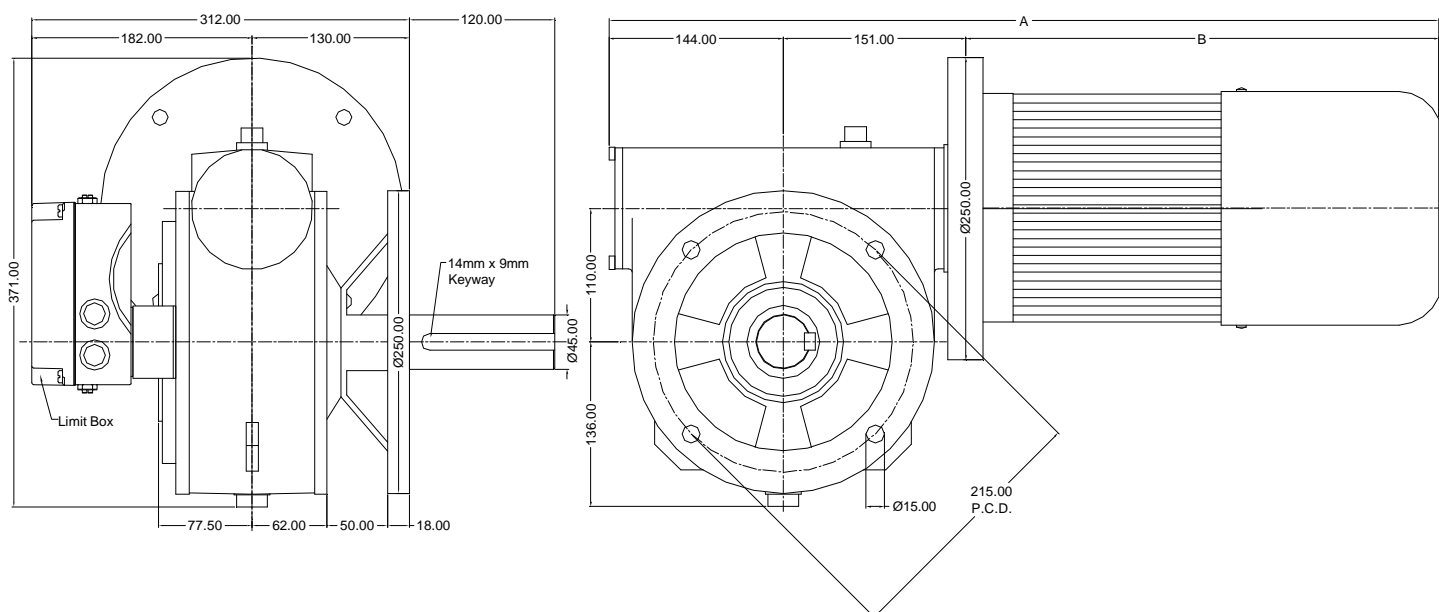
Please Contact Our Sales Department On 01928 579050 For Further Information

OPERATOR DIMENSIONS:- CDO-375s & CDO-400s Foot Mount Operators



Operator Type	A	B
CDO-375s	666	391
CDO-400s	690	415

OPERATOR DIMENSIONS:- CDO-375 & CDO-400 Flange Mount Operator.



Operator Type	A	B
CDO-375s	686	391
CDO-400s	710	415

Please Contact Our Sales Department On 01928 579050 For Further Information