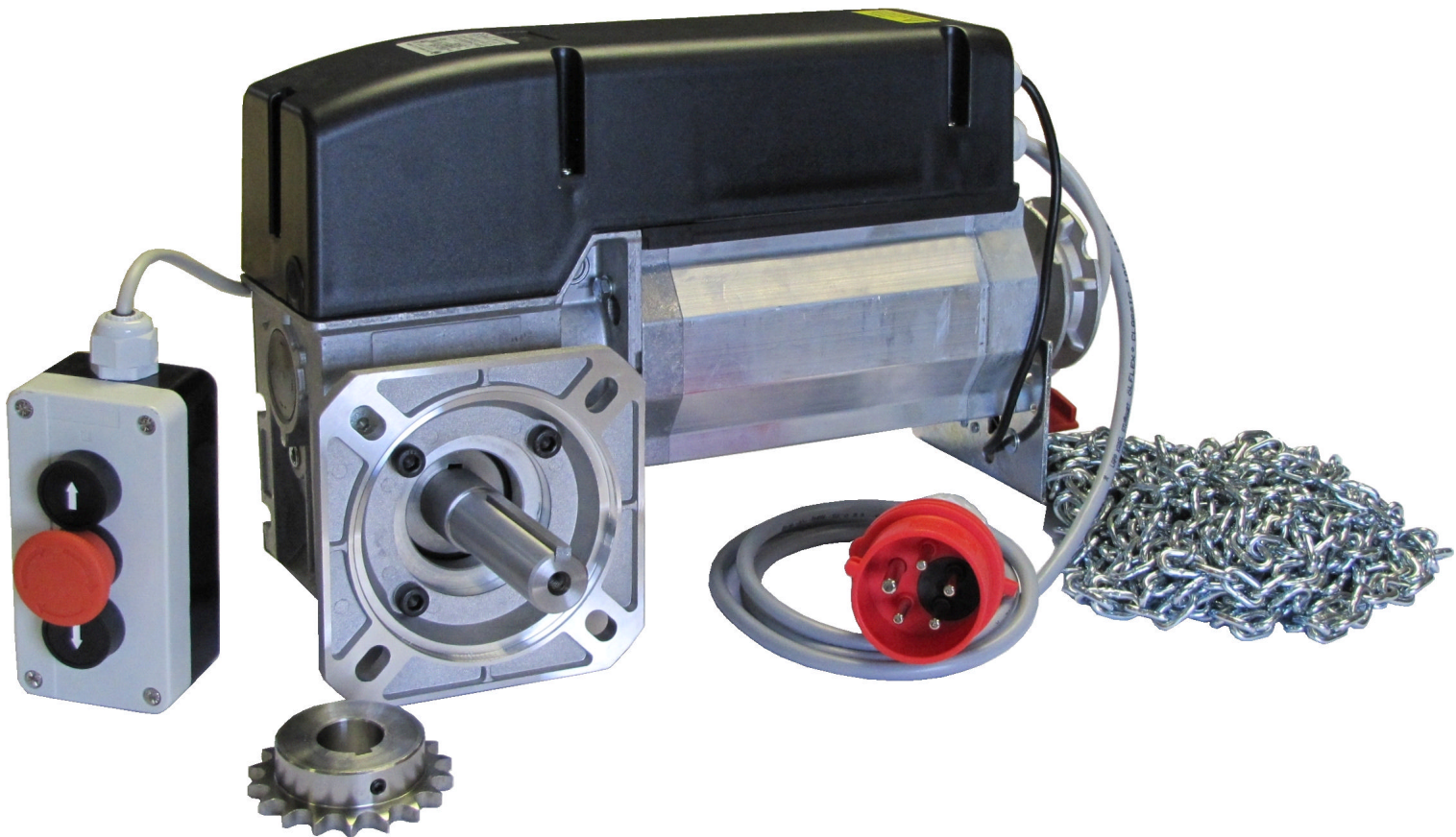


CDO-100B COMPACT

Braked Rolling Door Operator



Special Features:

- * Integral Brake
- * Available with pre-wired starter or Mini Standard Starter
- * Available with a variety of manual operating systems
- * Safety Interlock Switch for manual operation
- * Handing can be changed on site to suit the installation
- * Developed to make installation easy and simple
- * Integral Thermal Protection
- * IP 54 Environment Protection
- * Gear driven Limit Switches
- * Phosphor bronze Worm Wheel

Please Contact Our Sales Department On 01928 579050 For Further Information

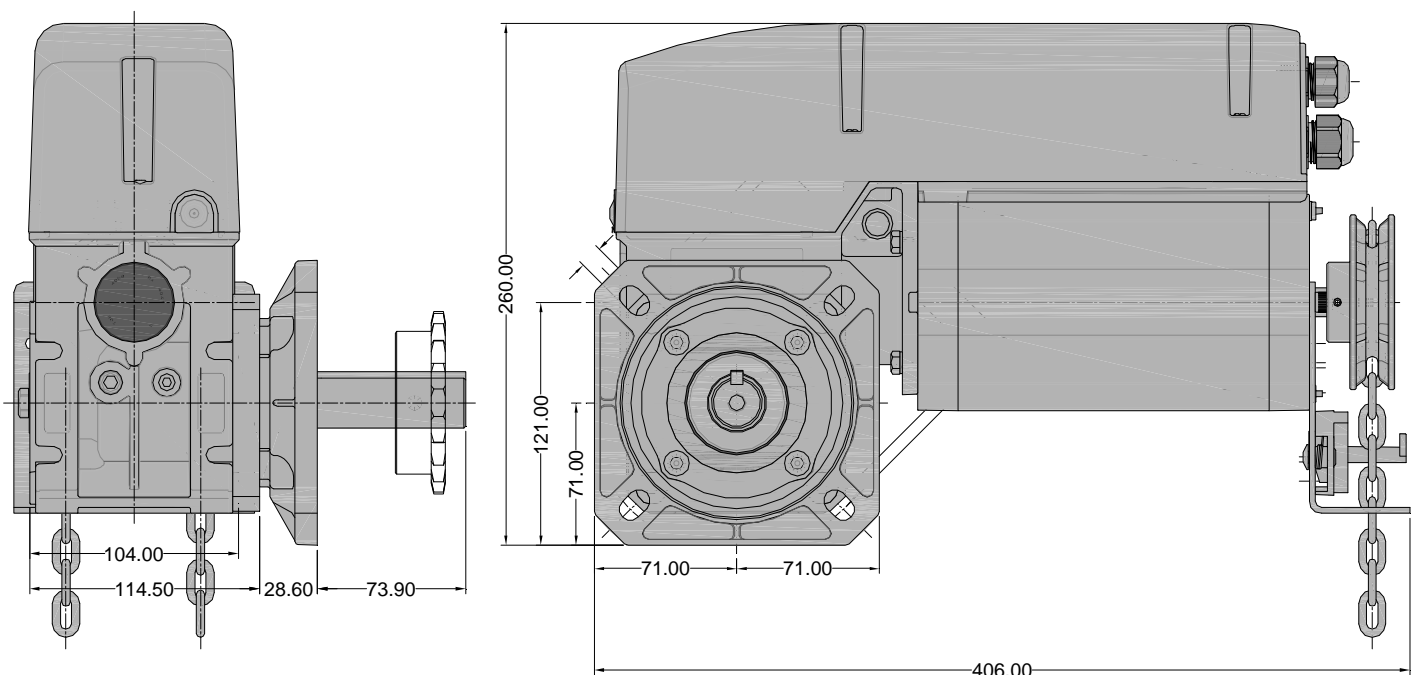
Product Description

The CDO-100B Compact Rolling Door Operator has a 0.55kW, 400V Three Phase Motor. These models are available with Hand Crank, Floor Level Hand Chain & High Level Hand Chain Systems, which enables the roller shutter door to be manually opened & closed when required.

TECHNICAL INFORMATION

Data \ Type	CDO-100B Compact c/w Hand Crank	CDO-100B Compact c/w Floor Level Hand Chain	CDO-100B Compact c/w High Level hand Chain
Power (kW)	0.55		
Torque (Nm)	120 / 85 / 60		
Output Speed (R.P.M.)	24 / 30 / 45		
Number of Turns	33		
IP Rating	54		
Current (Amps)	1.8		
Power Supply	400V/3ph/50Hz		

DIMENSIONS: CDO-100B Compact 3ph c/w High Level Hand Chain



Please Contact Our Sales Department On 01928 579050 For Further Information