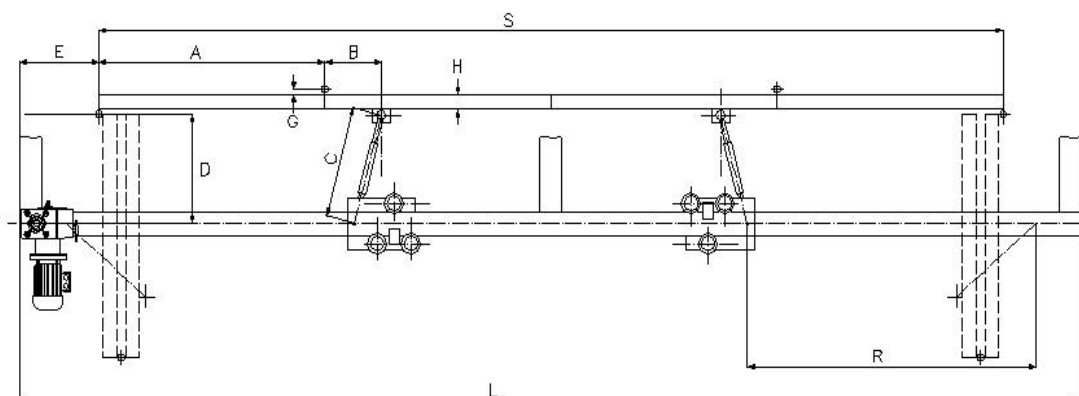


Fastfold Bi-Folding Door Operator System

Link Controls have a comprehensive range of operators for use on bi-fold doors. The Fastfold system comprises of an industrial duty hollowshaft operator mounted on a smooth running trolley system with controls and auxiliary equipment designed to suit your specific needs Providing full and safe operation

In order to provide a system that is tailored to your exact requirements we have included a guide to assist you in providing the exact measurements that are required when ordering the sliding / folding door track system. These details must be carefully checked at the design stage and site survey to ensure there are no restrictions



A = mm									
$K = A / 1000$									
A	B K x 250	C K x 460	D K x 450	E K x 150 + 200	R K x 1280	L S + 2 x E	G	H	S